

26" Depth, 6" High	MODEL
<ul style="list-style-type: none"> <li>◆ 750 +/- CFM</li> <li>◆ 8" Round Transition</li> </ul>	<p>2042PS-IS-8-SS 2054PS-IS-8-SS 2060PS-IS-8-SS</p>



Handheld Remote

FEATURES:

- ◆ 304 Marine Grade Stainless Steel
- ◆ Hand held remote control; power and lights. On/Off.
- ◆ Filters: Aluminum Mesh
- ◆ Center Panel Lighting: LED bulbs included.
- ◆ Available in Matte White for an additional charge.

(NOTE: To clean, use mild soap and warm water)

**NO Returns on Matte or RAL colors.**

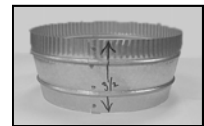
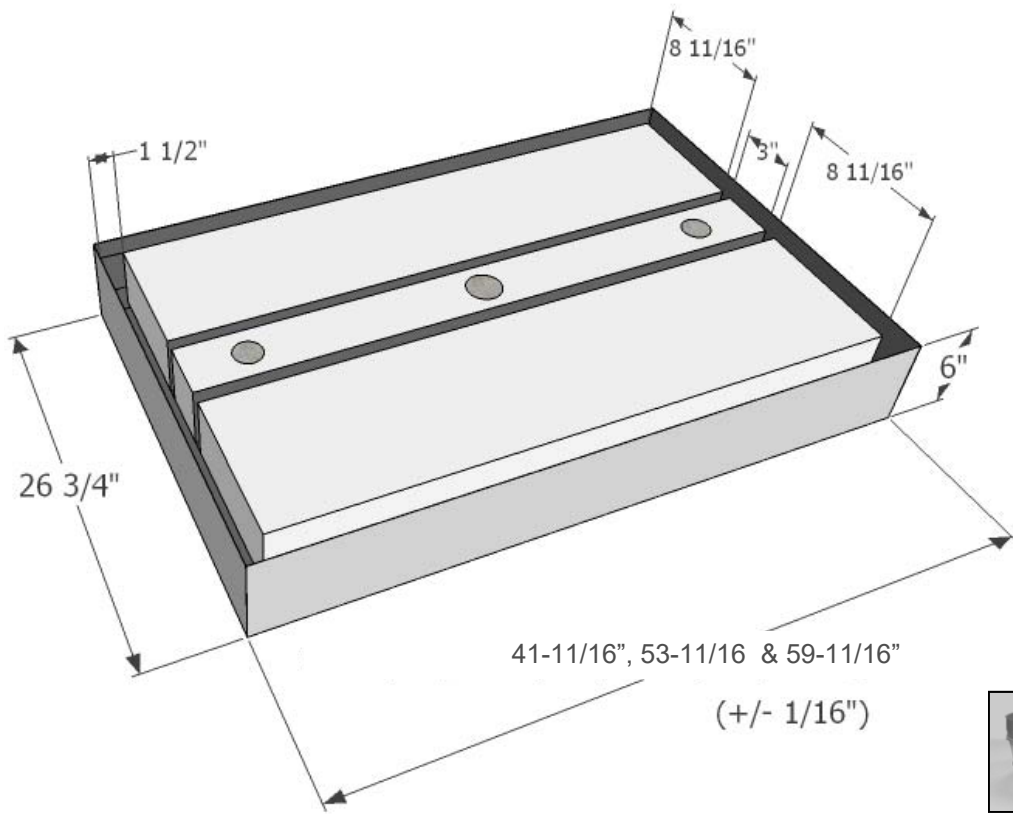
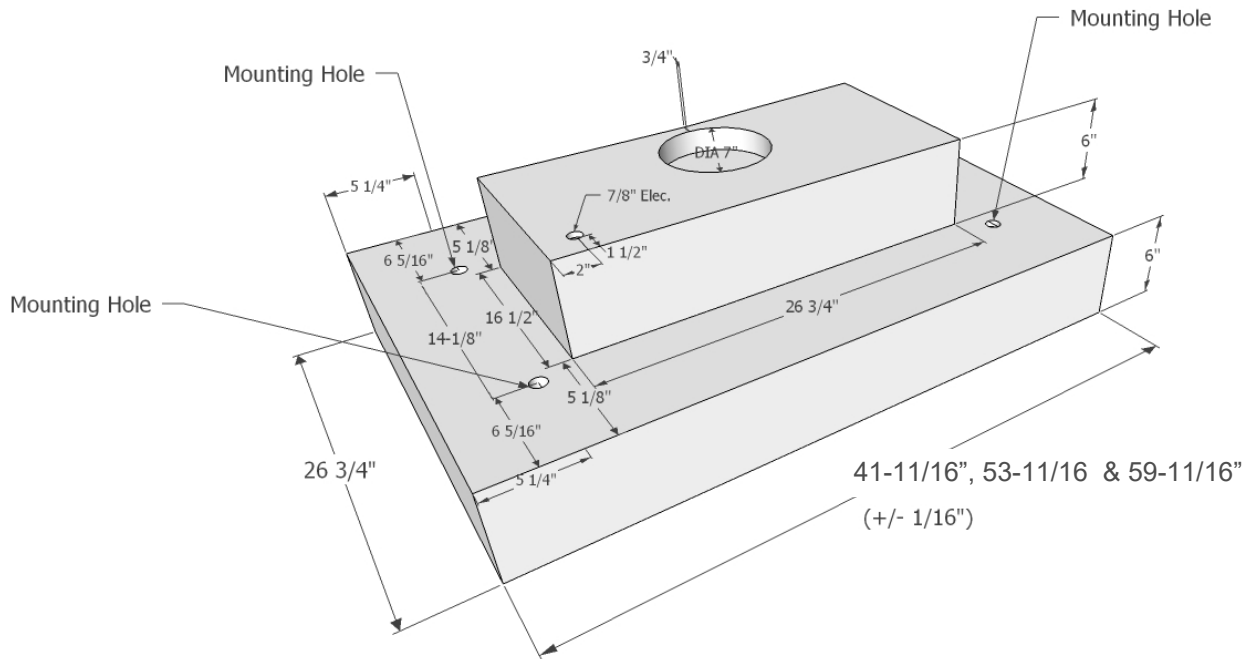
OPTIONS:

- ◆ Custom Sizes Available.

WARRANTY:

- ◆ Limited Warranty—7 Years Parts only.
- ◆ NO Performance Warranty due to variable distances above cooking surface.
- ◆ No warranty on handheld remote control. Replacement remote control available for an additional charge.

# Ceiling Mount Island Specifications



8" Transition  
8" Round x 3-1/2" high

**SEVEN YEAR, IN HOME, LIMITED WARRANTY, THE BEST IN THE INDUSTRY!**

All dimensions are (+/-) 1/16" and are subject to change. Drawings are not to scale.