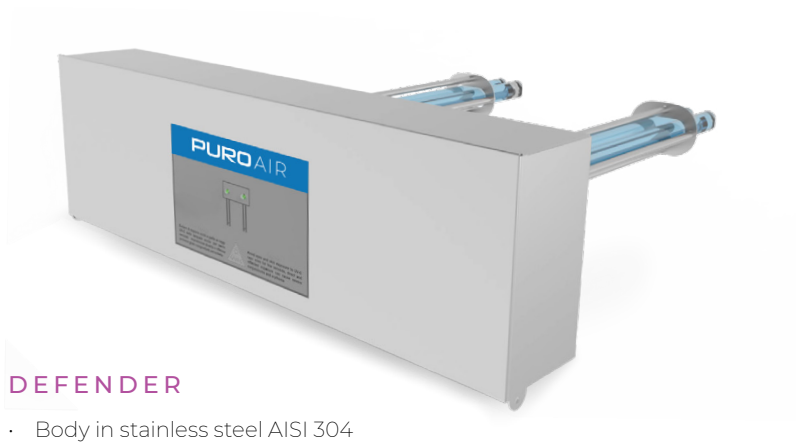


# Defender and Mini Defender — UV Air Duct

## Germicidal UV-C Disinfection for HVAC Duct Integration

### KEY FEATURES FOR DEFENDER AND MINI DEFENDER

- Optimized for retrofit applications and easy to install
- Selective high-efficiency UV-C PURO Air lamps (emission peak at 253.7nm), ozone free, pure quartz
- All materials used are tested for resistance to intense UV radiation
- Powered by 120 – 277V electronic ballast
- CE mark (LVD - EMC - MD - RoHS)
- Complies with the noise standards of Directive 2006/42/EC
- Values measured according to UNI EN ISO 3746



### DEFENDER

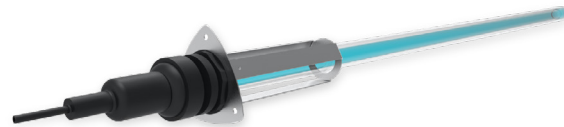
- Body in stainless steel AISI 304
- Green and red indicator light shows operational status



Defender in-duct Application

### MINI DEFENDER

- AISI 304 stainless steel flange
- Quick connect system plug & socket
- Quartz sleeve protects the UV-C lamp
- UVLON PIPE sheath prevents broken glass fragments

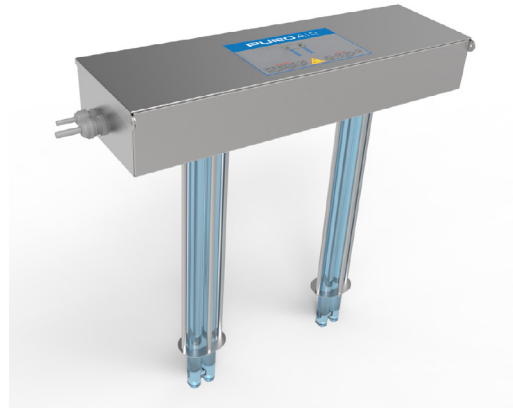
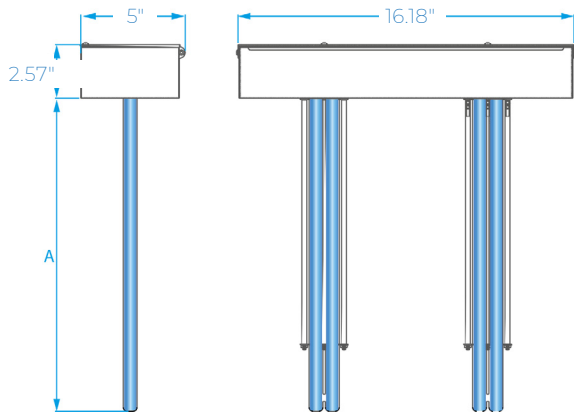


4/2021

## DEFENDER SPECIFICATIONS

Defender UV Air Duct	Dimensions WxHxD (in)	Lamp Lifetime (up to hours)	Power (W)	"A" Length Inside Duct (in)	Weight (lbs)	Protection Rating	Replacement Lamp
DF-2L-35-ID-VI	16.25x10x5.1	≤ 18,000	70	7.25	5.3	IP20	GHP-35W
DF-2L-60-ID-VI	16.25x17.8x5.1	≤ 18,000	120	15	5.7	IP20	GHP-60W
DF-2L-95-ID-VI	16.25x22.75x5.1	≤ 18,000	190	20	5.9	IP20	GHP-95W

## DEFENDER TECHNICAL DRAWINGS



## HOW TO ORDER DEFENDER

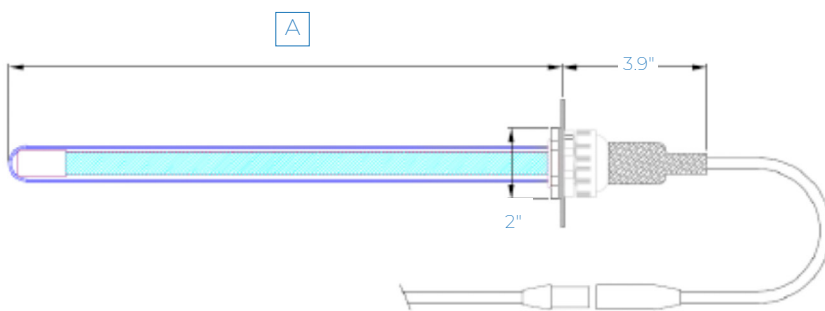
Please specify components below using the letter code in bold to select the desired options.

Model	Lamp Configuration	Lamp Type	Mounting	Controls
<b>DF</b> = Defender Air Duct	<b>2L</b> = with 2 UV-C lamps	<b>35</b> = 35W mercury vapor UV-C lamp <b>60</b> = 60W mercury vapor UV-C lamp <b>95</b> = 95W mercury vapor UV-C lamp	<b>ID</b> = In-duct mounting	<b>VI</b> = Visual lamp failure indicator
Example order: <b>DF-2L-35-ID-VI</b>				

## MINI DEFENDER SPECIFICATIONS

Mini Defender UV Air Duct	Average Lamp Lifetime (hrs)	Power (W)	"A" Length Inside Duct (in)	Weight (lbs)
MD-1L-11-ID	≤ 18,000	11	7.7	0.4
MD-1L-16-ID	≤ 18,000	16	10.7	0.7
MD-1L-40-ID	≤ 18,000	35	15.6	1.5
MD-1L-60-ID	≤ 18,000	60	21.3	1.7
MD-1L-90-ID	≤ 18,000	85	33.5	1.8

## MINI DEFENDER TECHNICAL DRAWING



## HOW TO ORDER MINI DEFENDER

Please specify components below using the letter code in bold to select the desired options.

Model	Lamp Configuration	Lamp Type	Mounting
<b>MD</b> = Mini Defender Air Duct	<b>1L</b> = with 1 UV-C lamp	<b>11</b> = 11W mercury vapor UV-C lamp <b>16</b> = 16W mercury vapor UV-C lamp <b>40</b> = 40W mercury vapor UV-C lamp <b>60</b> = 60W mercury vapor UV-C lamp <b>90</b> = 90W mercury vapor UV-C lamp	<b>ID</b> = In-duct mounting
Example order: <b>MD-1L-60-ID</b>			