

BIOZONE®

PR 05, 10, 20, 30
Product Family: PR
Model: PR-05, PR-10, PR-20, PR-30
Description: Air and Surface Purifier

POWER INFORMATION

Input Voltage: 100-240 V AC
Input Frequency: 50/60 Hz
Power Supply Output Voltage: 12 V DC
Amperage: 0.800 A
Electric Consumption: 9.6 W
Power Supply Capacity: 2.08 A

SIZING INFORMATION

-see Owner's Manual for more details-

FEATURES

Universal Power Supply
Adjustable Output
Remote Control
Optional Wall Mount Kit
Portable, Space Saving Design

APPLICATIONS

Animal Odor Removal
Care Homes/Nursing Homes
Food Odor Removal
Garbage/Rubbish Collection
Gymnasiums
Odor Abatement
Smoke Removal

WARRANTY

Warranty valid in United States and Canada.
Contact factory for warranty in other countries.
One year Parts and Labor on entire unit.

Product Certifications:



PR System



PURGE VIRUS

STAY SAFE and HEALTHY

For INFO and ORDERS: www.PurgeVirus.com/Contact



PR-30
Top View Shown



- Eliminate odors, smoke, and chemicals
- Reduce bacteria, viruses, mold, and other micro-contaminants
- Improve the hygiene in the air and on surfaces
- Certified to be safe, proven to be effective
- Portable or fixed installations - take it wherever you go
- Completely automated and chemical-free
- Maintenance free – requires simple annual UV lamp replacement

© BioZone Scientific International, Inc.

7751 Kingspointe Parkway
Suite 124
Orlando, FL 32819
USA



BIOZONE
SCIENTIFIC INTERNATIONAL

PR 05, 10, 20, 30
Product Family: PR
Model: PR-05, PR-10, PR-20, PR-30
Description: Air and Surface Purifier

BioZone®

REORDER INFORMATION

Replacement UV Lamps

PR-05: 10-08010
 PR-10: 10-08025
 PR-20: 10-08050
 PR-30: 10-08100

SPECIFICATIONS

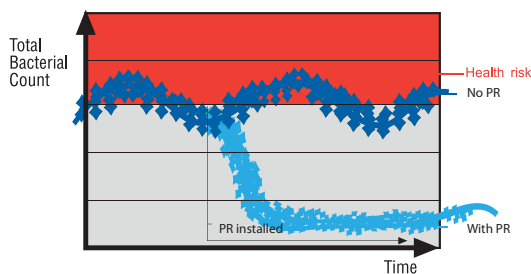
Length: 10.6"
 Width: 4.0"
 Height: 8.6"
 Weight: 3.85 lbs
 Power Cord Length: 8'

CONTENTS

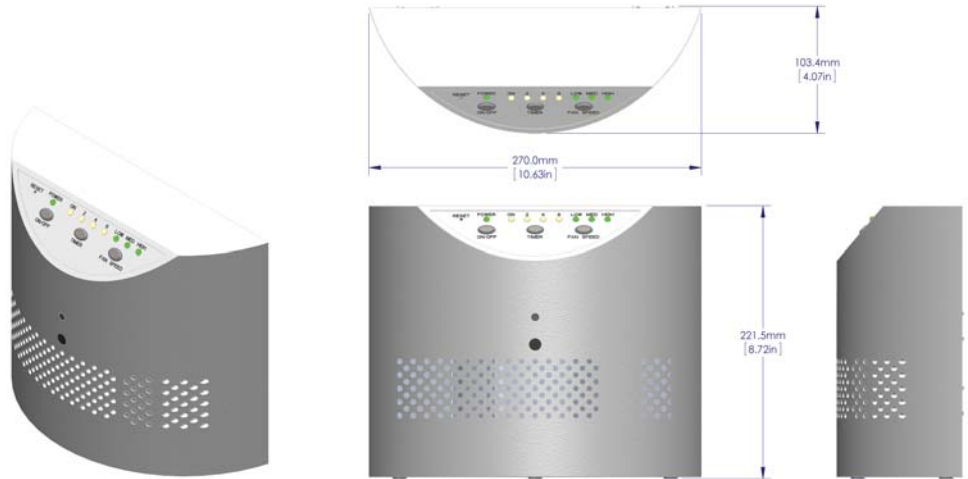
PR
 Remote Control
 UV Lamp (pre-installed)
 Owner's Manual and Installation Guide
 Wall Anchor (optional)
 Mounting Screws (optional)

Validation Studies

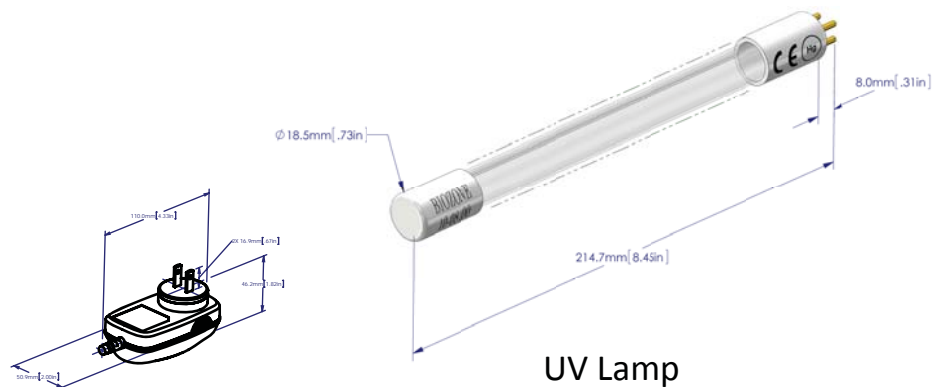
BioZone Technology is shown to reduce:
 >99.999% of surface E. coli^{1,2}
 >99.999% of surface Listeria²
 100% of surface Salmonella²
 98.24% of airborne bacteria³
 100% of airborne H₂S⁴
 >99.999 of Avian Influenza Virus (H5N2)⁵
 >99.999 of Parainfluenza Virus (hPIV-3)⁵



1 Test performed by Pennsylvania State University
 2 Test performed by Tri-Tech Analytical Laboratories
 3 Test performed by LAWN Environmental Ltd
 4 Test performed by SMQ Academy
 5 Test performed by CNRS

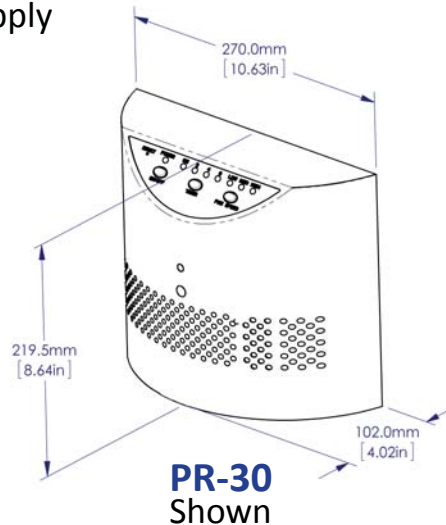


PR-30



Power Supply

UV Lamp



**PR-30
Shown**

© BioZone Scientific International, Inc.

7751 Kingspointe Parkway
 Suite 124
 Orlando, FL 32819
 USA

