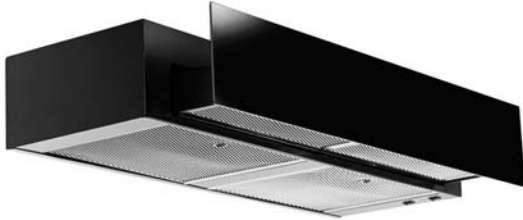


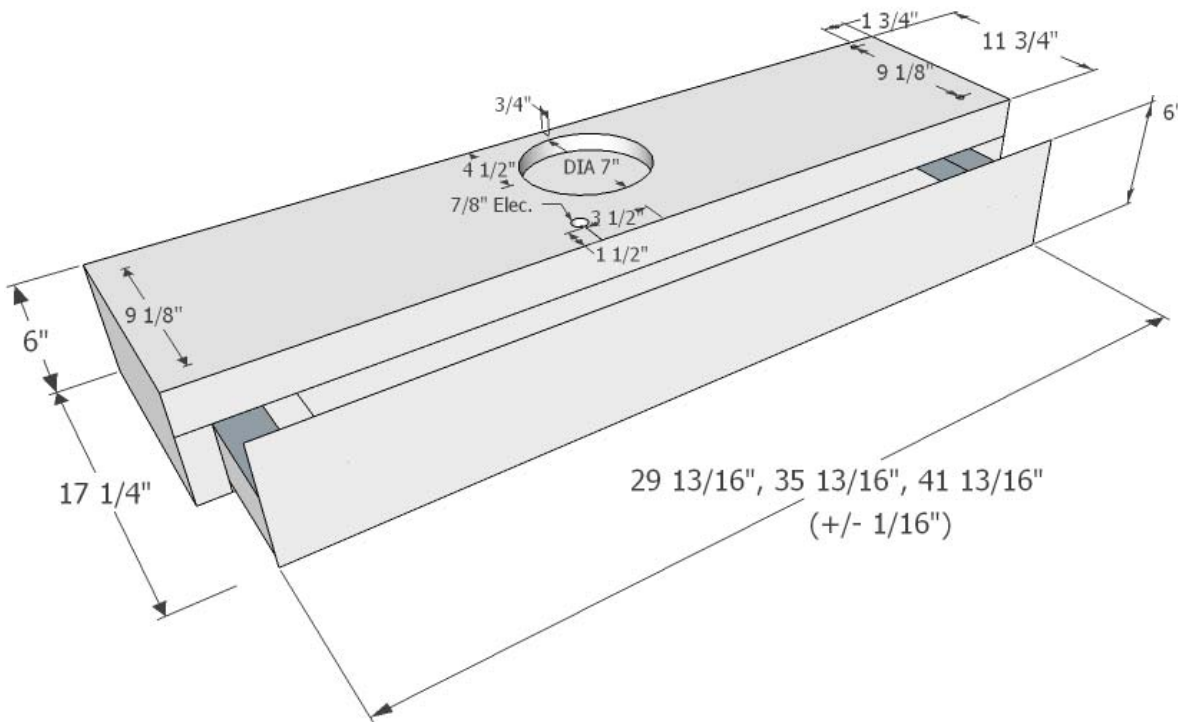
6" High, Drawer Extends to 18" Depth	MODEL White or Black Front Panel	MODEL Stainless Front Panel
<ul style="list-style-type: none"> <li>◆ 360± CFM @ 2.5 to 4.9 Sones</li> <li>◆ 7" Round Duct</li> </ul>	WHITE PANEL G3030SD2-WH G3036SD2-WH G3042SD2-WH BLACK PANEL G3030SD2-BL G3036SD2-BL G3042SD2-BL	WHITE BODY / STAINLESS PANEL G3030SD2-WH-SS G3036SD2-WH-SS G3042SD2-WH-SS BLACK BODY / STAINLESS PANEL G3030SD2-BL-SS G3036SD2-BL-SS G3042SD2-BL-SS



Black with Black Front

FEATURES:

- ◆ Rocker Controls.
- ◆ Lighting: 75 Watt Max Incandescent. (Not Included)
- ◆ Filters: Aluminum Mesh
- ◆ Installation, unit must be hard wired. Suggested use with 15 Amp Circuit.
- ◆ Installation: Included Mounting Screws.
- ◆ Suggested Distance Code: 30-36" above cooking surface.



SEVEN YEAR, IN HOME, LIMITED WARRANTY, THE BEST IN THE INDUSTRY!

All dimensions are (+/-) 1/16" and are subject to change. Drawings are not to scale.