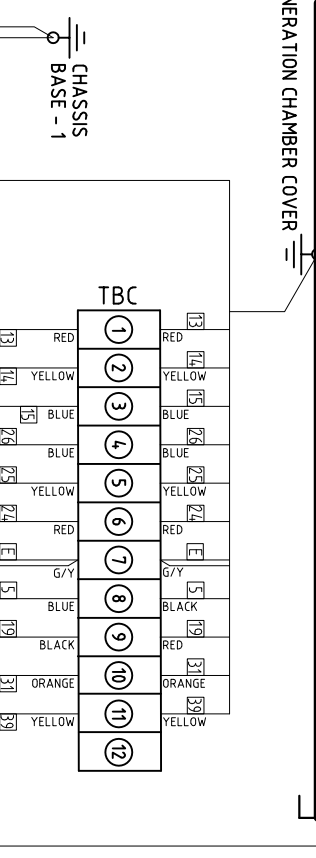
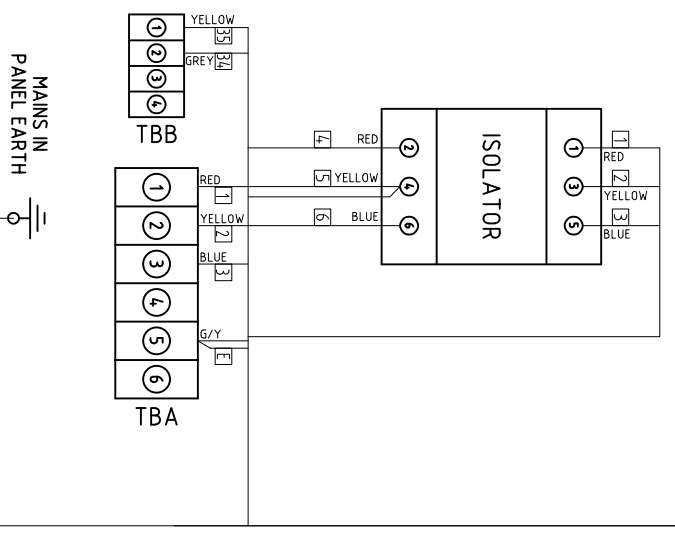
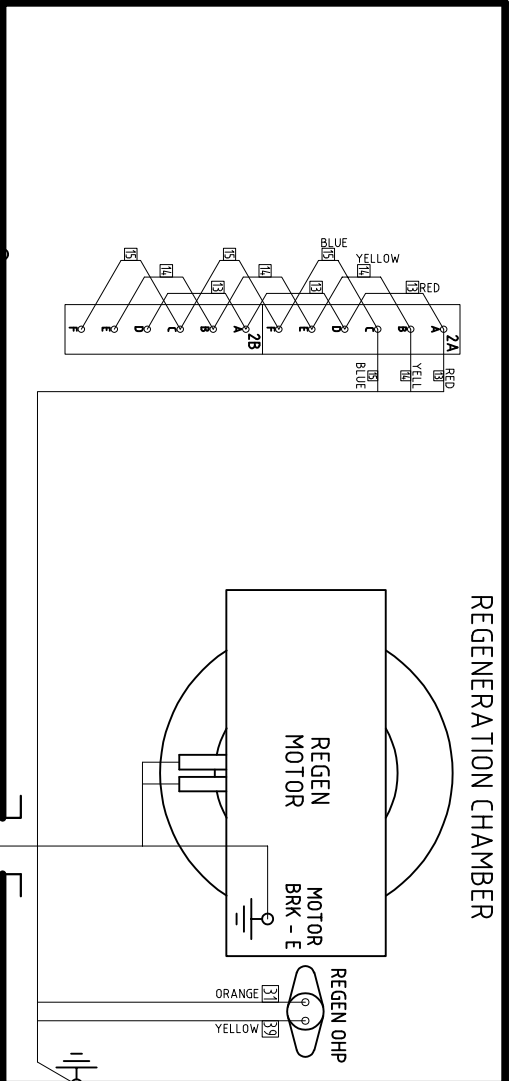
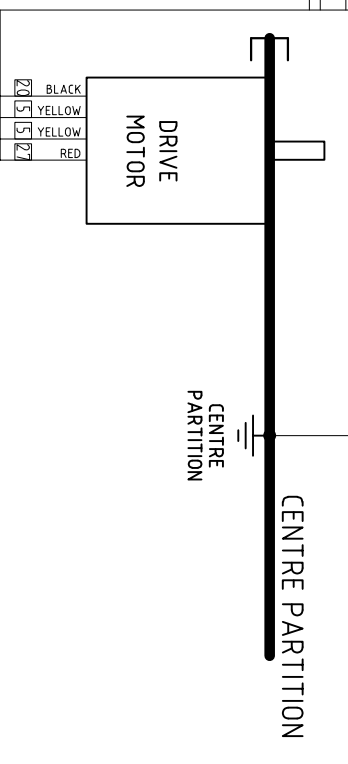
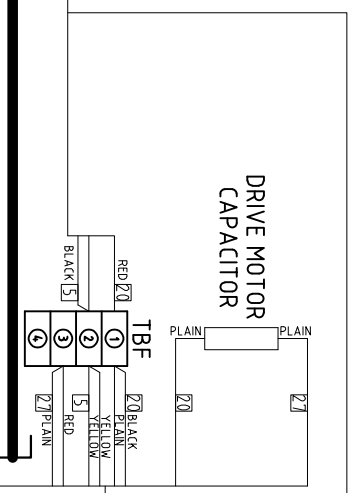
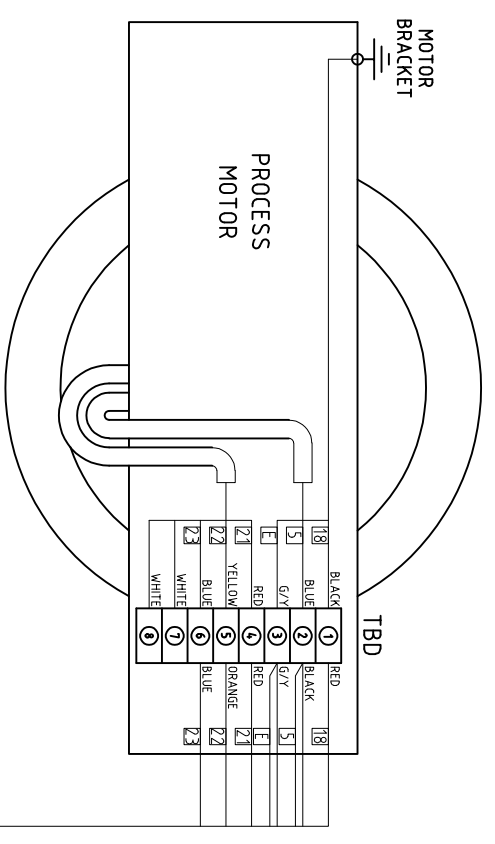
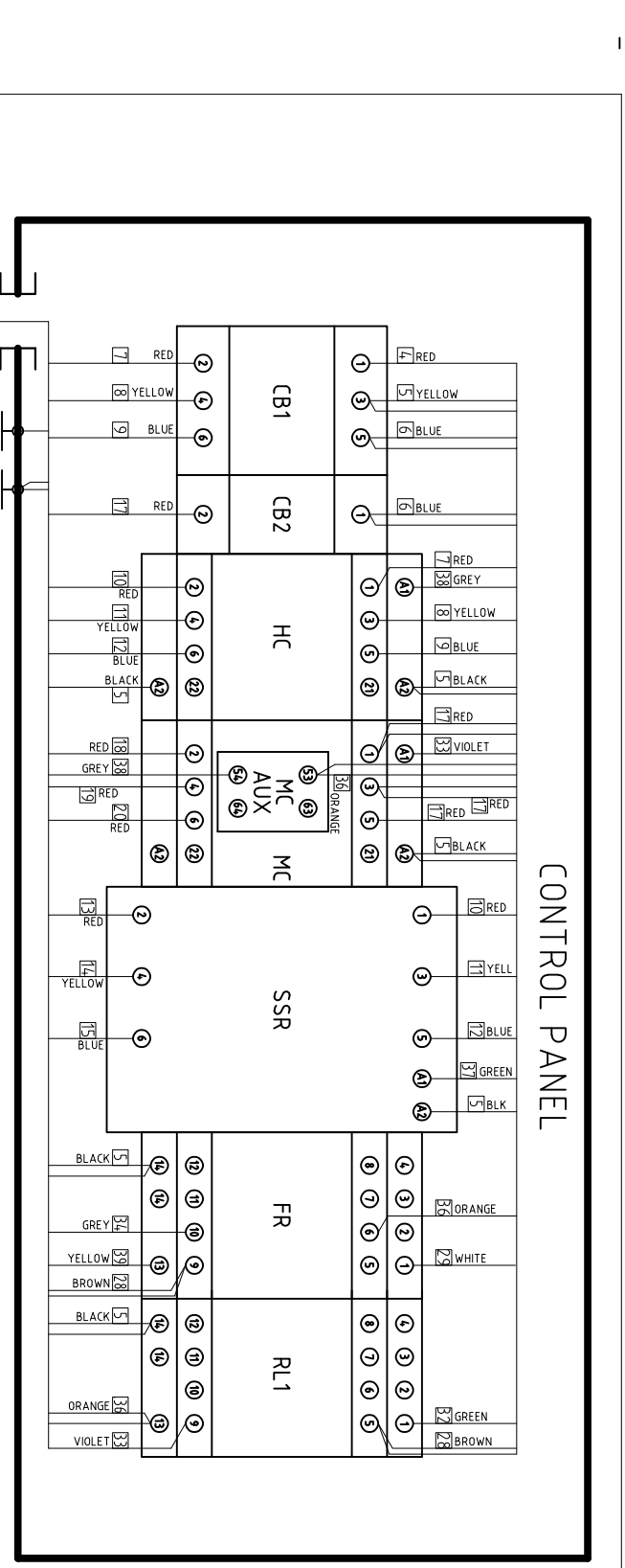
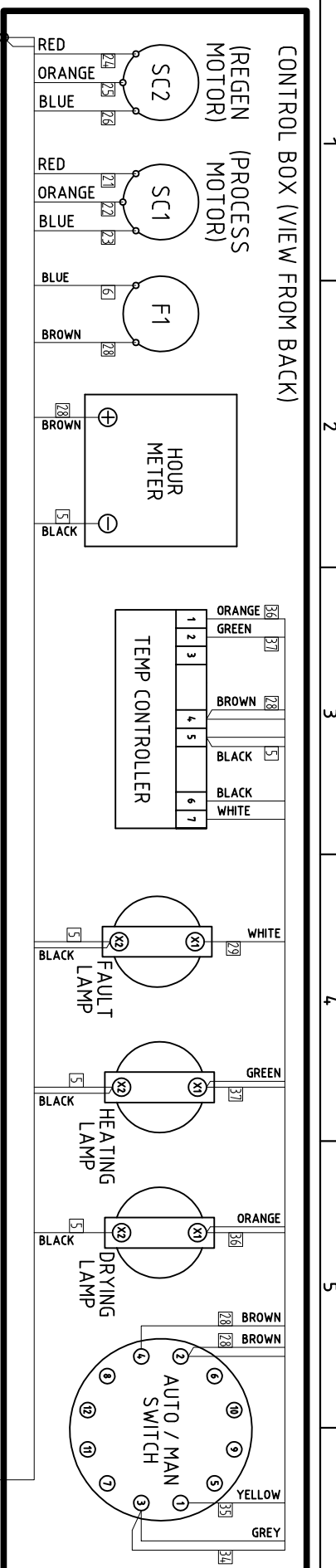


ISSUE	DATE	AMENDMENTS
8	10/11/14	NEUTRAL'S RE-ARRANGED TO HELP PRODUCTION - WDA
9	13/02/15	TEMP. CONT. / DRIVE MOTOR UPDATED - WDA
10	01/05/15	CONTROL BOX VIEW CHANGED - WDA
11	12/05/15	CONTROL BOX VIEW CHANGED - WDA
12	06/11/15	REGEN FAN T/B VIEW UPDATED - WDA
13	09/07/20	WIRE COLOUR / SIZE UPDATE - WDA



1993 **EBAC** LIMITED BISHOP AUCKLAND ENGLAND

3RD ANGLE PROJECTION
 DO NOT SCALE
 IF IN DOUBT ASK

DIMENSIONS IN m.m.
 TOLERANCES UNLESS OTHERWISE STATED
 0.0 ± 0.25
 0.00 ± 0.05
 ANGULAR ± 0.5 DEGREE

TITLE	MATERIAL	FINISH	DRG.NO.	SHEET
DD700 - WIRING DIAGRAM - 220V / 60HZ	N/A	N/A	5010356	1 OF 1

DRAWN: W DAGLISH
 CAD SCALE: N/A